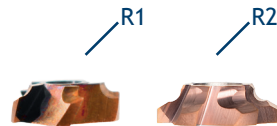


# Mini Mite™

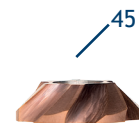
Bevel heads / Freeskoppen / Fräsköpfen / Cabezales de corte



## Radius



## Angle



Available in / Verkrijgbaar in / Erhältlich in / Disponible en

VERSION  
**3.0**

# Quick Start Manual

## Mini Mite™ ABIS-M 3.0



YouTube

[www.youtube.com/beveltools](http://www.youtube.com/beveltools)

Beveltools B.V.  
P.O. Box 190  
6880 AD  
Velp (Gld)  
The Netherlands  
T +31 (0)26 369 92 22  
F +31 (0)26 369 92 23  
E [info@beveltools.com](mailto:info@beveltools.com)

Beveltools Inc.  
11426 Moog Drive  
Maryland Heights  
MO 63146  
United States  
T +1 855 882 3835  
F +1 314 567 0124  
E [sales@beveltools.com](mailto:sales@beveltools.com)



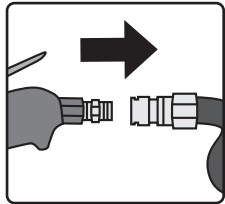
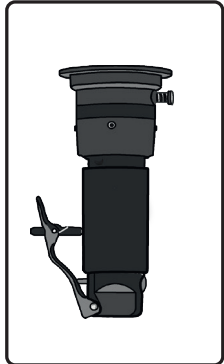
[www.beveltools.com](http://www.beveltools.com)

 **Quick Start Manual**  
Mini Mite™ ABIS-M 3.0

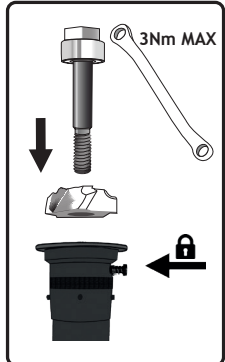
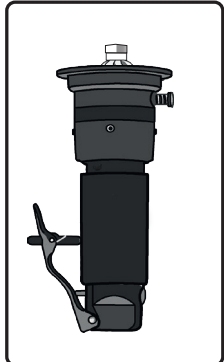


## 1 • Mounting the bevel head

**1** **ON OFF** **2**

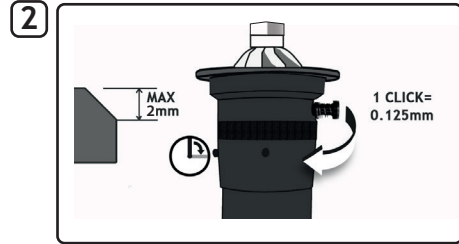
**3** **4**

## 2A • Adjusting the depth (beveling)

**1** **ON OFF**

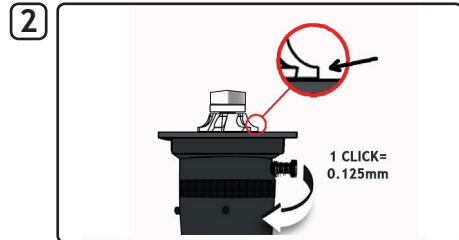
**2**



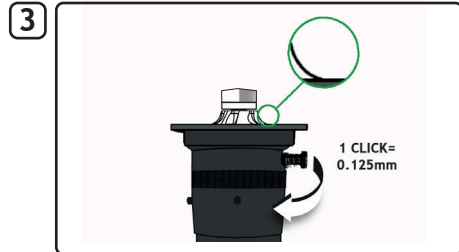
## 2B • Adjusting the depth (rounding)

**1** **ON OFF**

**2**




**3**

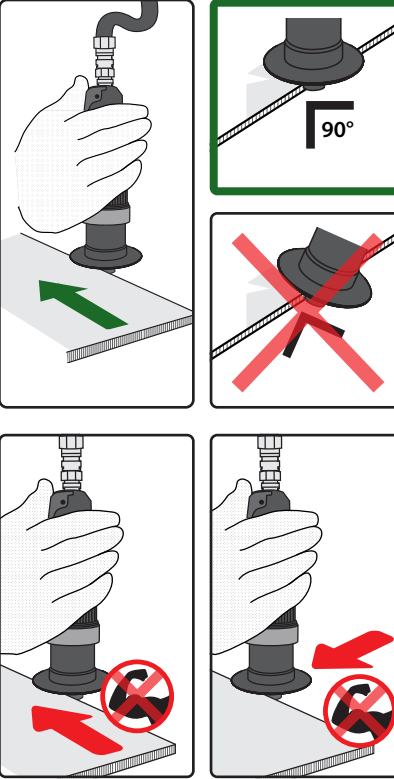


## 3 • Usage

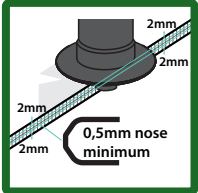
**1**



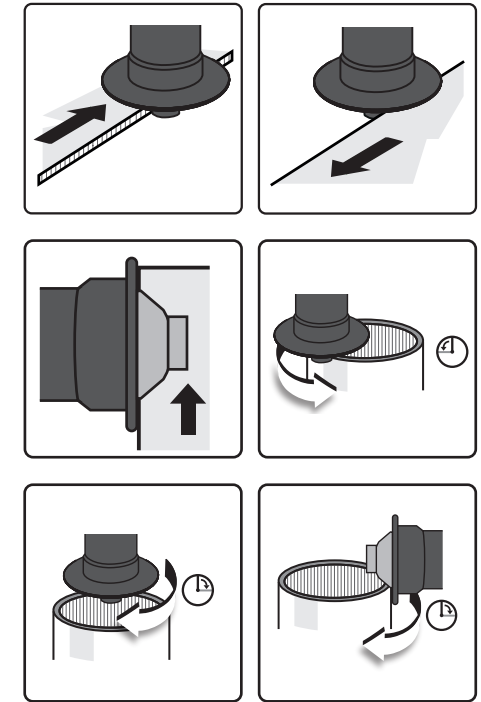
**2** **ON OFF**



**3**

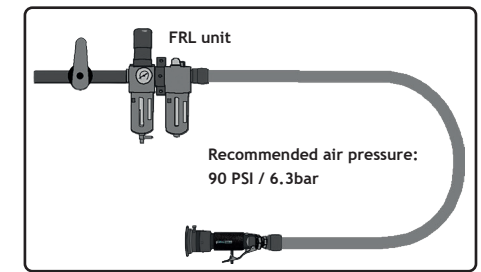


## 4 • Bevel direction




## 5 • Maintenance

FRL unit



Recommended air pressure:  
90 PSI / 6.3bar



10 CentiStokes OIL